

Assorted Non-Insulated Terminals - for Mercedes-Benz,

A comprehensive range of non-insulated male and female terminals for BMW and Mercedes Benz electrical sensor connectors. The selection of terminals covers a range of connectors including air temperature, oxygen, tail light sensors, ignition coil, camshaft position and TPMS - an ideal assortment for any automotive electrical engineer working on sensor or harness repairs. All terminals and associated seals are available in individual top up packs, with full sensor connector kits also available.



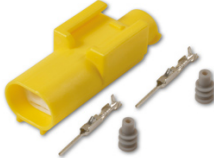
Additional Information

- 3x types male terminals used in: 2-pin air temperature sensor connectors (OEM 2005342-5), 4-pin oxygen sensor connectors (OEM 14521427964) and 3-pin road camera sensors (OEM 1-1703494-1).
- 7x types female terminals used in: 2-pin air temperature sensor connectors (OEM 1-967644-1 and 61138365340), 3-pin TPMS connectors (OEM 1-967642-1), 3-pin temperature electrical connectors (OEM 9-967642-1), 6-pin tail light sensor connectors (OEM 1-967616-1), 4-pin LPG electrical convertor sensor connectors (OEM 1-967640-1 and VW 8E0971934) and 2-pin alternator/universal applications connectors (OEM 1685452928).
- 2-pin crankshaft position sensor connectors (OEM 1685453028), 3-pin crankshaft electrical sensor connectors (OEM 09441391), 4-pin engine ignition coil injector connectors (OEM 09441491), 2-pin ignition coil connectors (OEM 12129142), 2-pin crank angle sensor connectors (OEM 14D0971992), 3-pin camshaft position sensor connectors (OEM 7283-8730-30), 4-pin oxygen sensor connectors (OEM 0005407417) and 5-pin NOX (nitrogen oxide) sensor connectors (OEM 872-860-541).
- Full range of sensor connectors, terminal top up packs and associated weatherproof seals available from Connect.
- For the perfect seal on these 1.5 and 3.5 series terminals and seals please use Laser ratchet crimping tool, Part No. 7642, which has specially designed jaws for a professional crimp. *Note: all OEM references are equivalent to OEM.

Replacement Part No. 37476

ASSOCIATED PRODUCTS

37420 2-pin Air Temperature Sensor Connector



37376 Weather Seal



Replacement Part No. 37483

ASSOCIATED PRODUCTS

37432 4-pin Oxygen Sensor Connector



37484 Weather Seal





Replacement Part No. 37477


ASSOCIATED PRODUCTS

37421 2-pin Air Temperature Sensor Connector

ALSO USED WITH SENSOR PART NOS:
37422
37434
37435
37436
37438



37376 Weather Seal



Replacement Part No. 37478

ASSOCIATED PRODUCTS

37423 2-pin Alternator / Universal Applications Connector

ALSO USED WITH SENSOR PART NOS:
37424
37431
37441



37358 Weather Seal



Replacement Part No. 37479

ASSOCIATED PRODUCTS


37427 2-pin Ignition Coil Connector



Replacement Part No. 37480

ASSOCIATED PRODUCTS

37428 2-pin Crank Angle Sensor Connector



37358 Weather Seal

